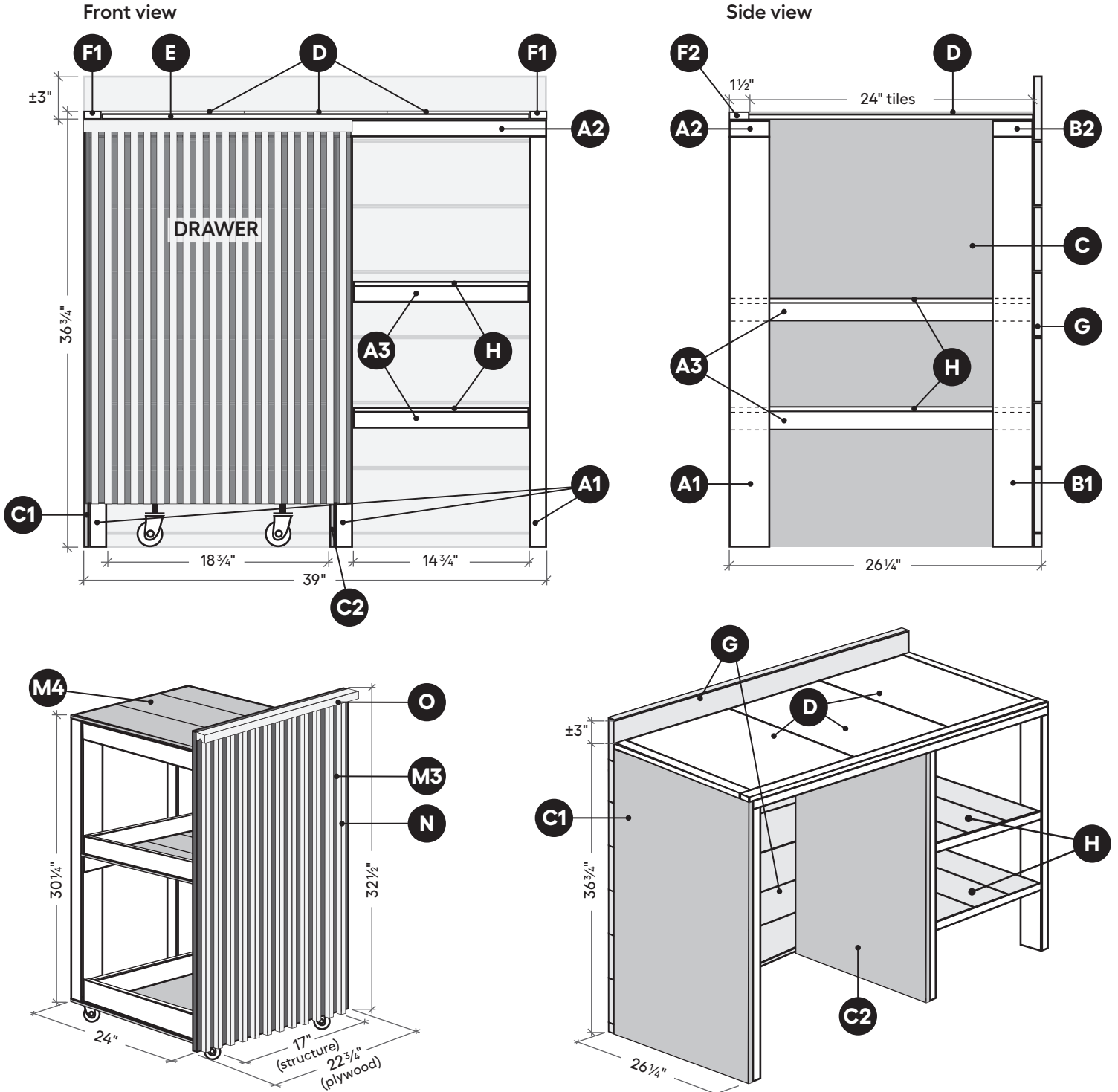


# PLAN • OUTDOOR KITCHEN

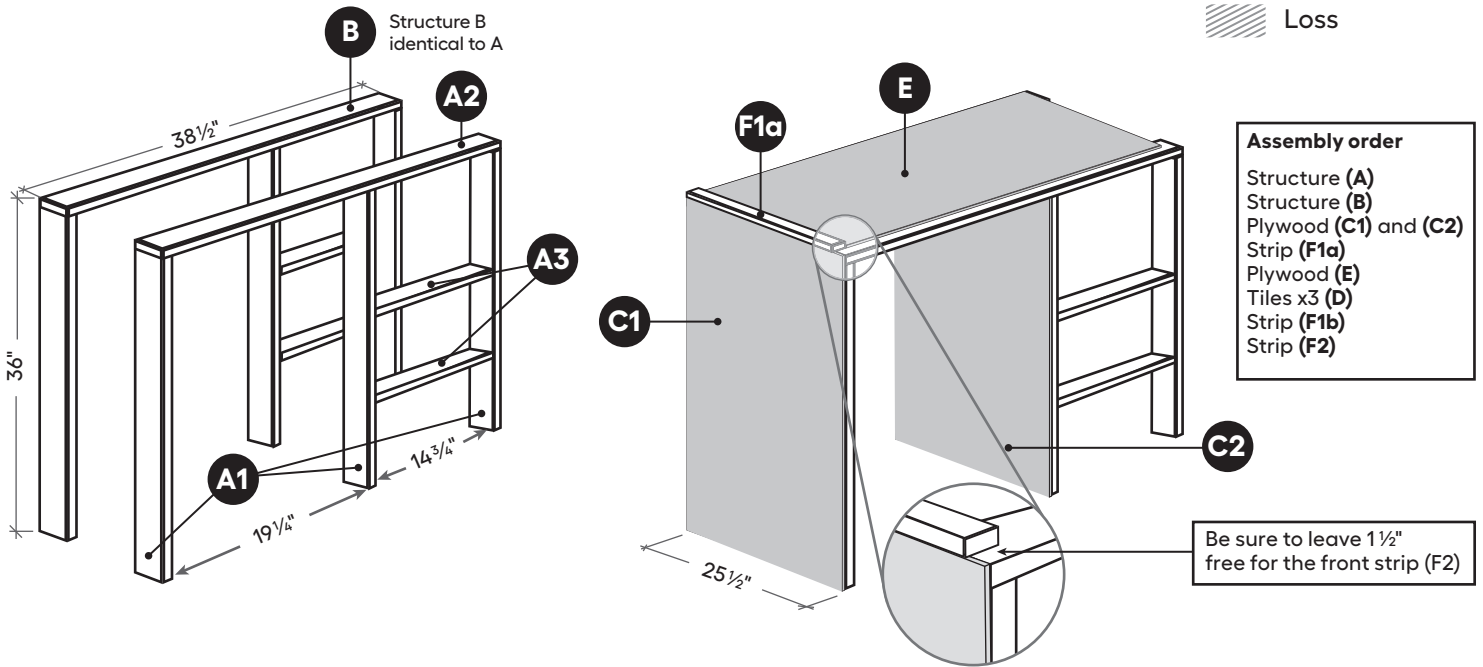
## FURNITURE WITH SHELF AND DRAWER ON WHEELS WITH SHELVES

Dimensions: (Height) 39" x (Length) 39" x (Depth) 26¼"



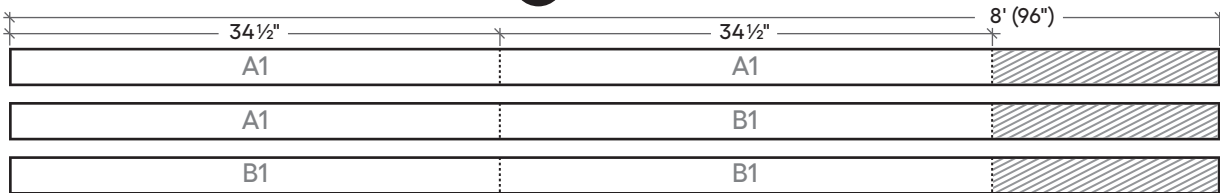
# PLAN • OUTDOOR KITCHEN

## FURNITURE WITH SHELF



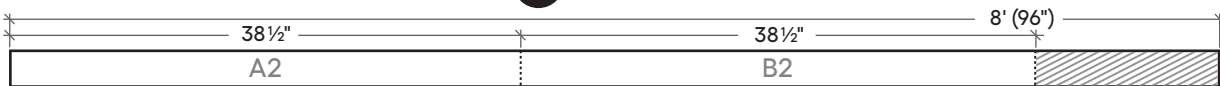
**A1** 3x (2" x 4" x 34 1/2")

**B1** 3x (2" x 4" x 34 1/2")



**A2** 1x (2" x 4" x 38 1/2")

**B2** 1x (2" x 4" x 38 1/2")



**A3** 2x (2" x 4" x 14 3/4")

**B3** 2x (2" x 4" x 14 3/4")



**C1** Plywood 1x (1/2" x 25 1/2" x 36")

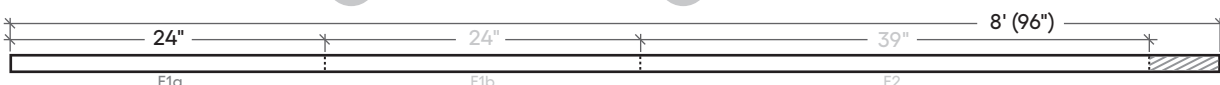
**C2** Plywood 1x (1/2" x 25 1/2" x 34 1/2")

**E** Plywood 1x (1/2" x 24" x 36")

**F1a** 1x (1" x 2" x 24")

**F1b** 1x (1" x 2" x 24")

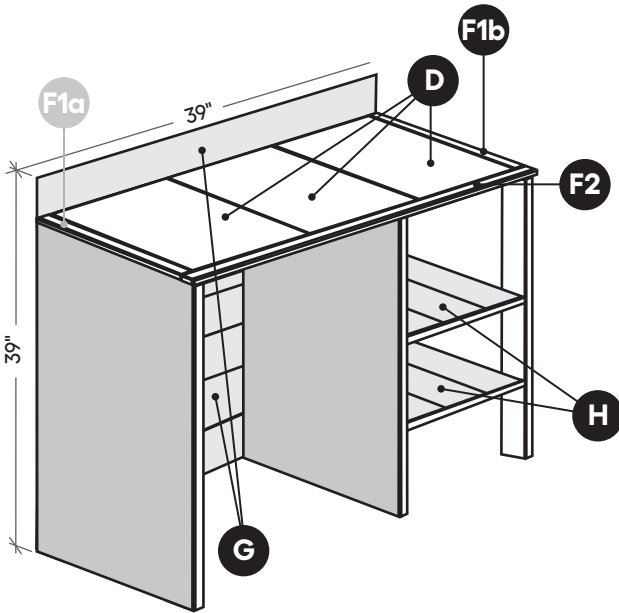
**F2** 1x (1" x 2" x 39")



# PLAN • OUTDOOR KITCHEN

## FURNITURE WITH SHELF

--- Cutting line  
 ▨ Loss



### Assembly order

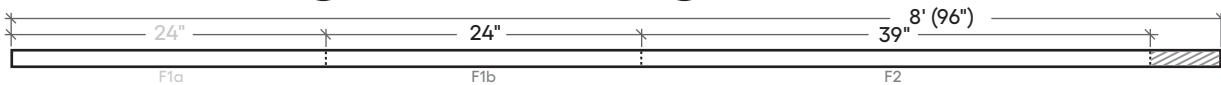
- Tiles (D)
- Strip (F1b)
- Strip (F2)
- Shelf (H)
- Fence (G)

### Note / Fence

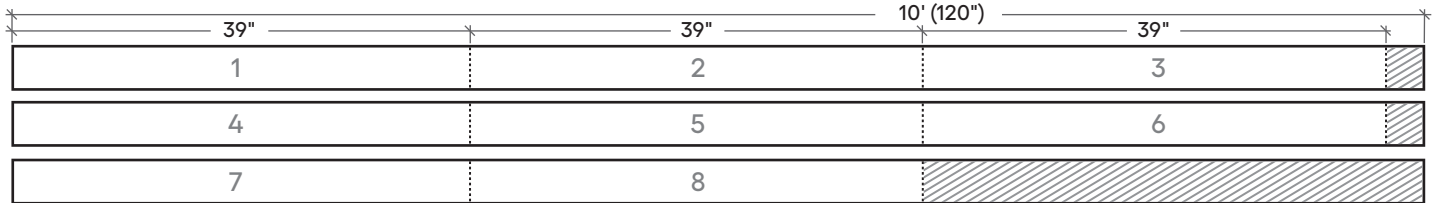
Start with a full board at the top to ensure a good nailing base on the crossbeam of structure B.  
 Allow the board to protrude upwards by about 3".  
 You will need to cut the last bottom board by about 2 3/4".

**D** Tiles 3x (1/4" x 12" x 24")

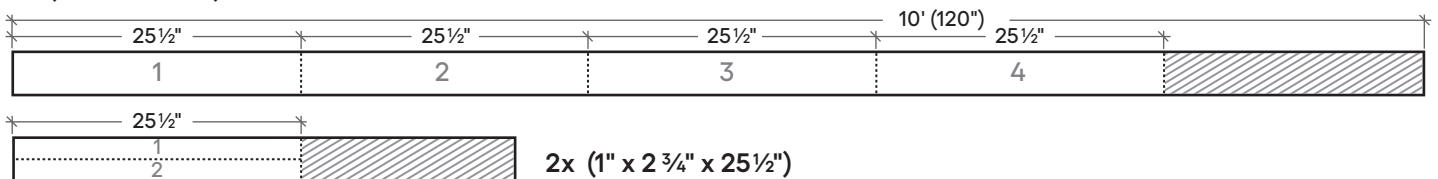
**F1a** 1x (1" x 2" x 24")      **F1b** 1x (1" x 2" x 24")      **F2** 1x (1" x 2" x 39")



**G** 8x (1" x 6" x 39")



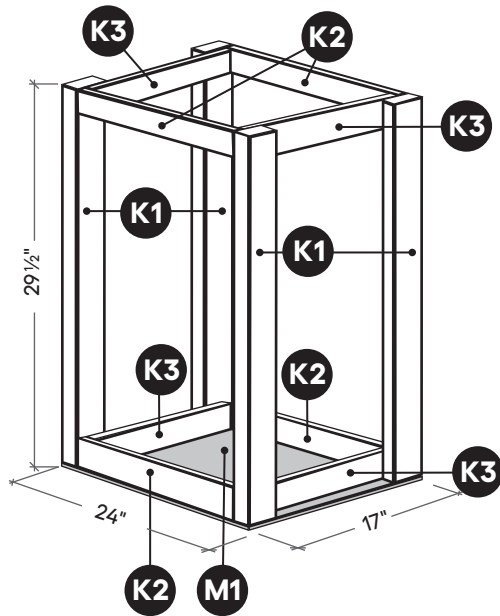
**H** 4x (1" x 6" x 25 1/2")



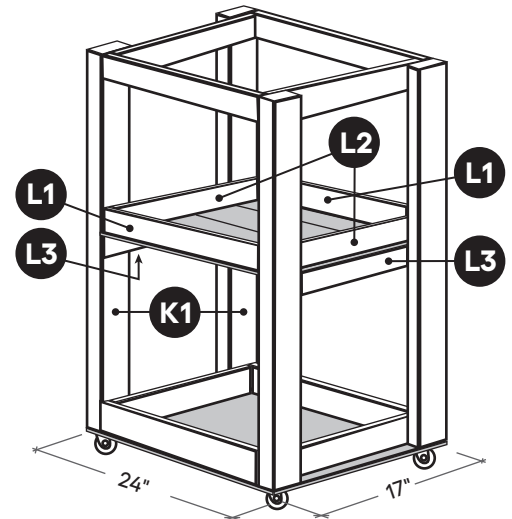
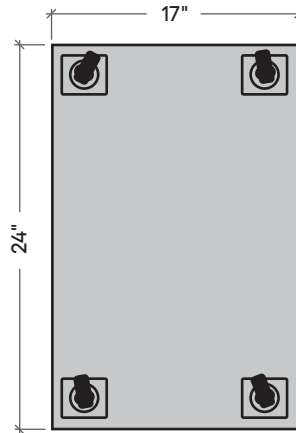
# PLAN • OUTDOOR KITCHEN

## DRAWER ON WHEELS WITH SHELVES

--- Cutting line  
 ▨ Loss

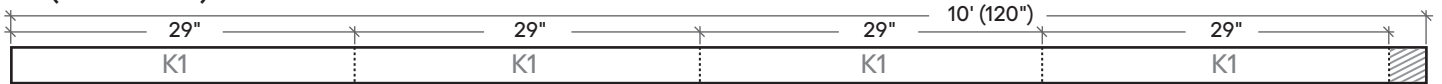


View from the bottom

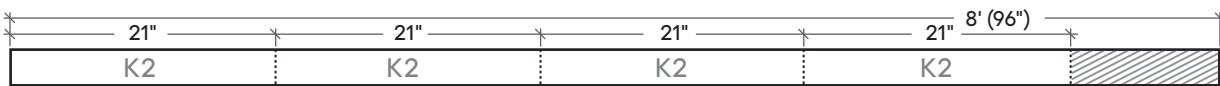


Keep a 1/2" gap between the plywood and the base of the wheel

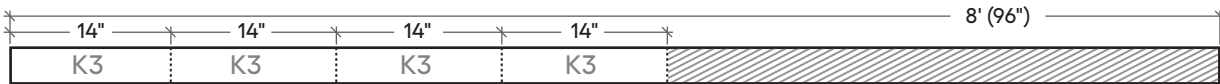
**K1** 4x (2" x 4" x 29")



**K2** 4x (2" x 4" x 21")

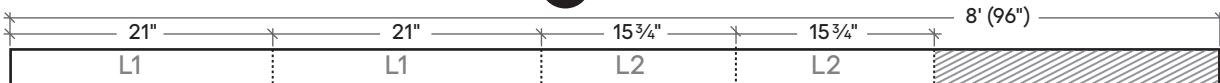


**K3** 4x (2" x 4" x 14")



**L1** 2x (1" x 4" x 21")

**L2** 2x (1" x 4" x 15 3/4")




**L3** 2x (1" x 2" x 17")

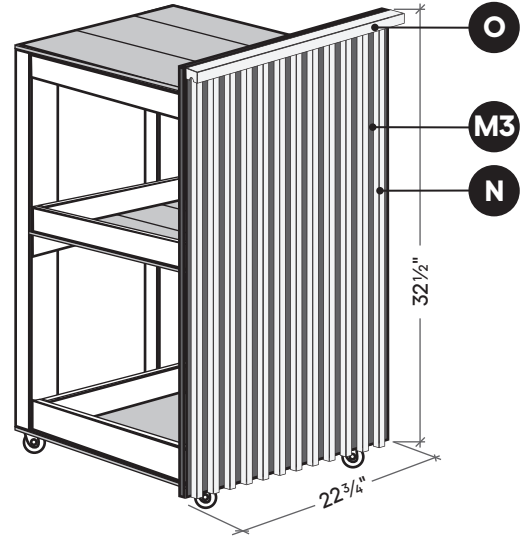
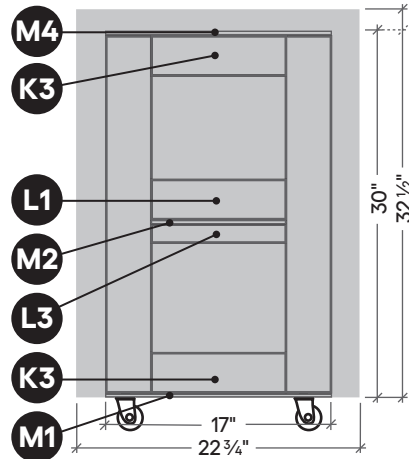
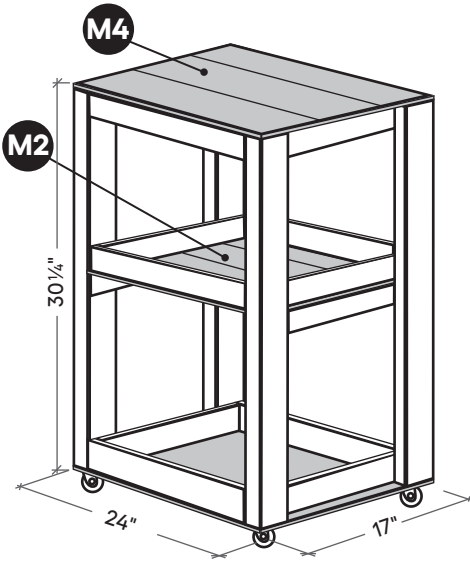


# PLAN • OUTDOOR KITCHEN

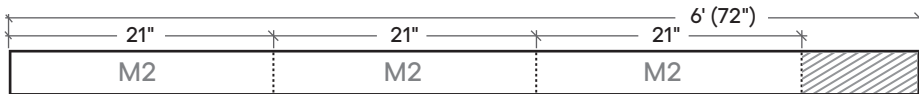
## DRAWER ON WHEELS WITH SHELVES

⋮ Cutting line  
 Loss

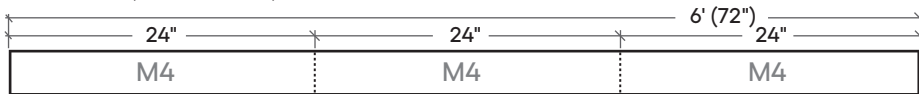
Front view  
 Position of the plywood  
 on the structure



**M2** Fence 3x (1" x 6" x 21")



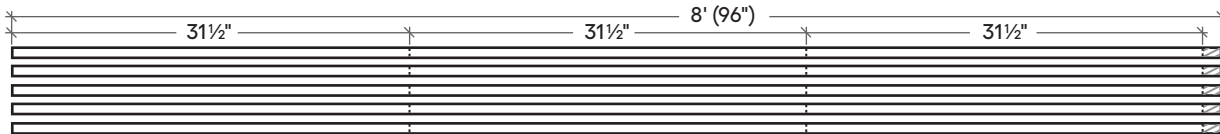
**M4** Fence 3x (1" x 6" x 24")



**M1** Plywood 1x (1/2" x 17" x 24")

**M3** Plywood 1x (1/2" x 22 3/4" x 32 1/2")

**N** Finishing strips ±13x (1" x 1" x 31 3/4")



**O** Moulding in U 1x (1" x 2" x 22 3/4")

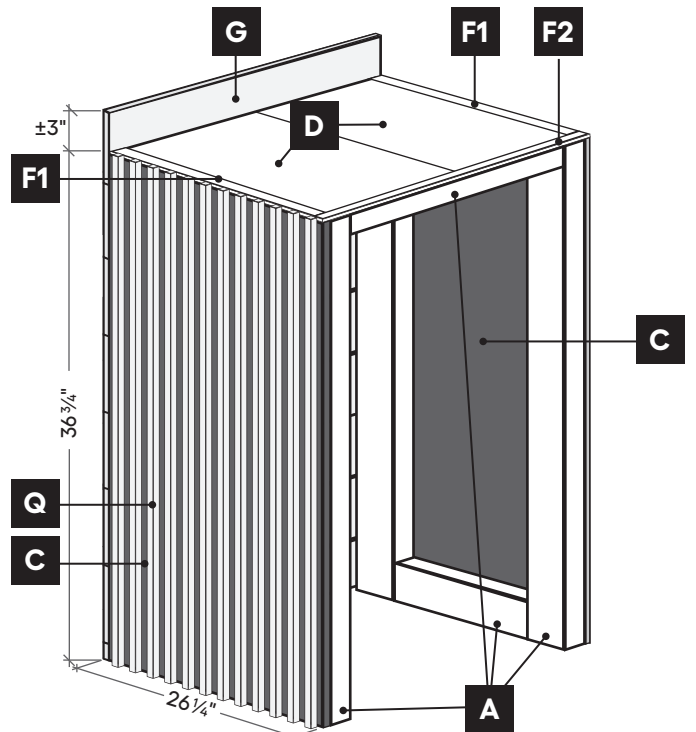
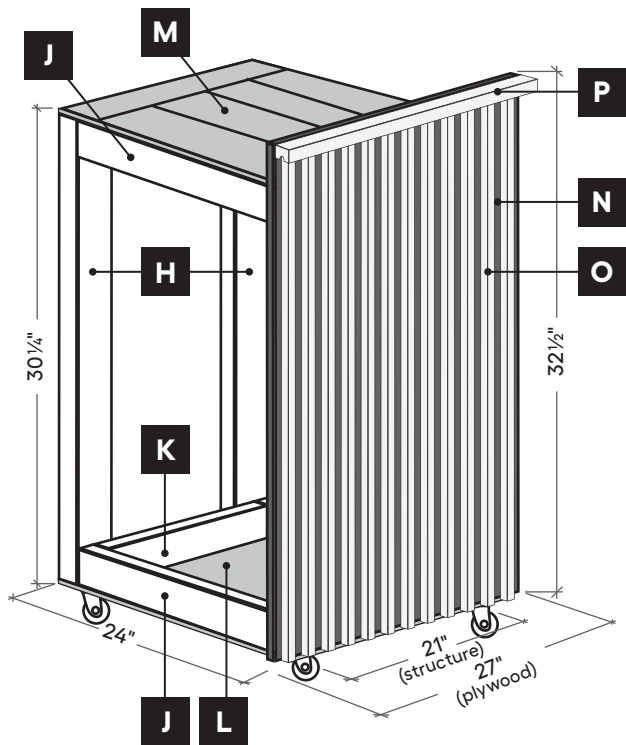
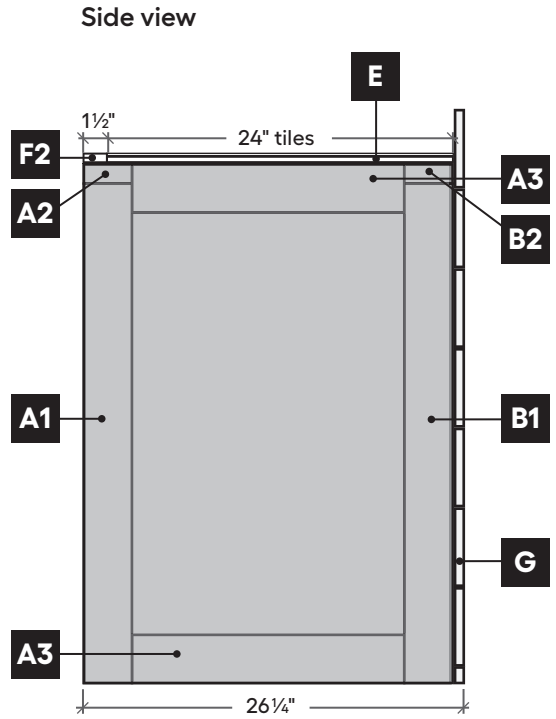
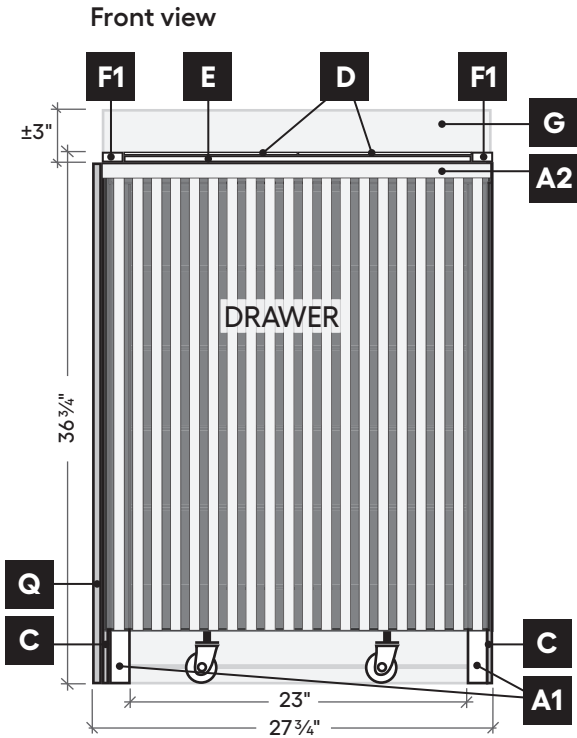


### Assembly order

- Studs (K1)
- Crossbeams (K2)
- Plywood (M1)
- Wheels
- Strip (L3)
- Boards (M2)
- Strip (L1 - L2)
- Boards (M4)
- Plywood (M3)
- Moulding U (O)
- Strip (N)

# PLAN • OUTDOOR KITCHEN

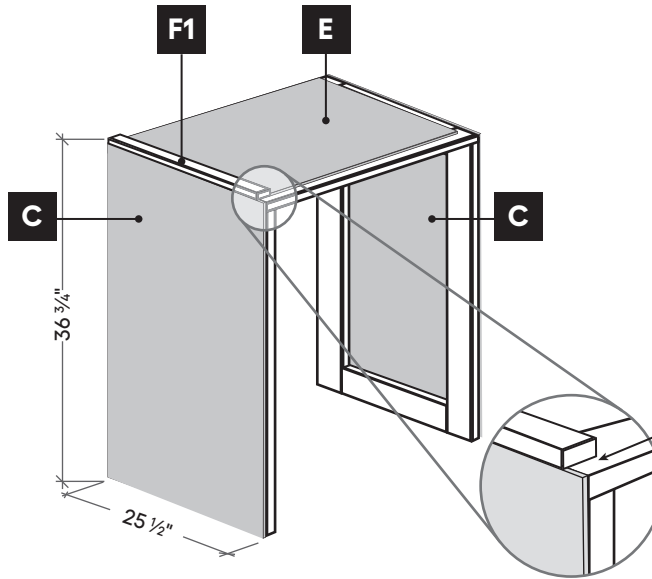
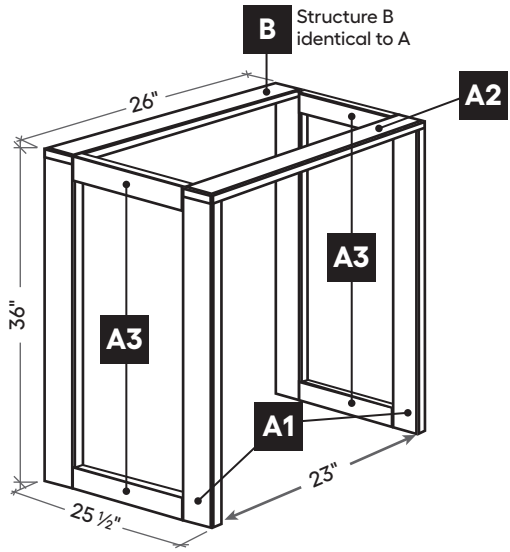
**SIMPLE FURNITURE AND DRAWER WITH WHEELS**  
 Dimensions : (Height) 39" x (Length) 27<sup>3</sup>/<sub>4</sub>" x (Depth) 26<sup>1</sup>/<sub>4</sub>"



# PLAN • OUTDOOR KITCHEN

## SIMPLE FURNITURE

--- Cutting line  
 // Loss

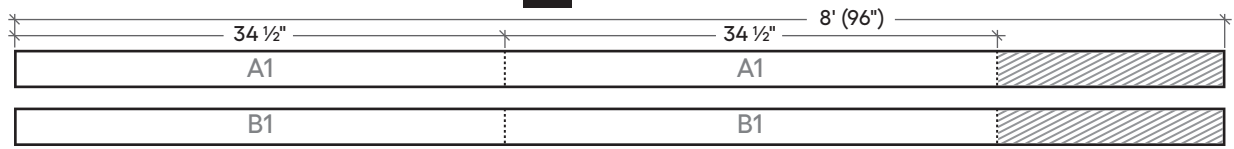


**Assembly order**  
 Structure (A)  
 Structure (B)  
 Plywood (C1) and (C2)  
 Strip (F1a)  
 Plywood (E)  
 Tiles x3 (D)  
 Strip (F1b)  
 Strip (F2)

Be sure to leave 1 1/2 inches free for the front strip (F2)

**A1** 2x (2" x 4" x 34 1/2")

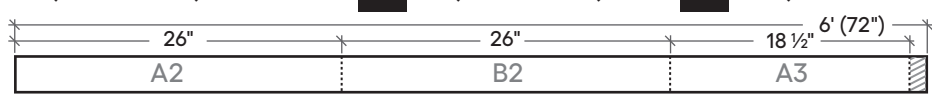
**B1** 2x (2" x 4" x 34 1/2")



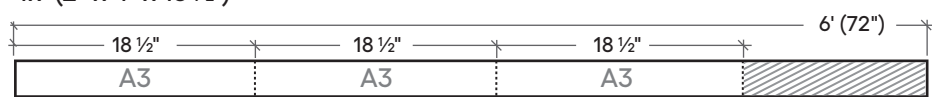
**A2** 1x (2" x 4" x 26")

**B2** 1x (2" x 4" x 26")

**A3** 4x (2" x 4" x 18 1/2")



**A3** 4x (2" x 4" x 18 1/2")

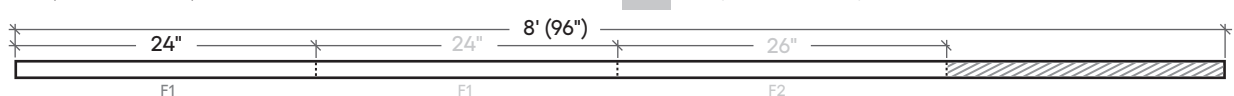


**C** Plywood 2x (1/2" x 25 1/2" x 36")

**E** Plywood 1x (1/2" x 24" x 24")


**F1** 1x (1" x 2" x 24")

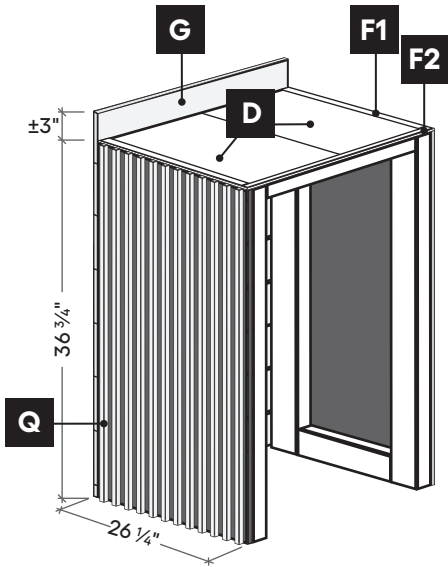
**F2** 1x (1" x 2" x 26")



# PLAN • OUTDOOR KITCHEN

## SIMPLE FURNITURE

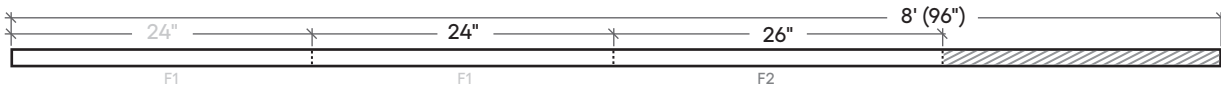
⋮ Cutting line  
 Loss



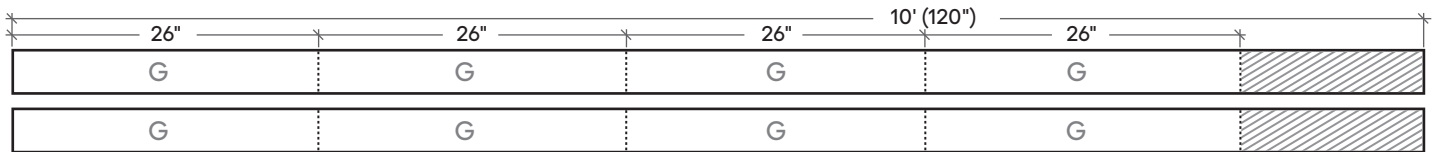
**D** Tiles 2x (1/4" x 12" x 24")

**F1** 1x (1" x 2" x 24")

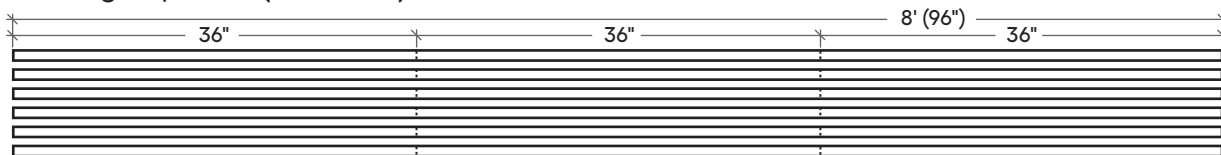
**F2** 1x (1" x 2" x 26")



**G** 8x (1" x 6" x 26")



**Q** Finishing strips ±17x (1" x 1" x 36")

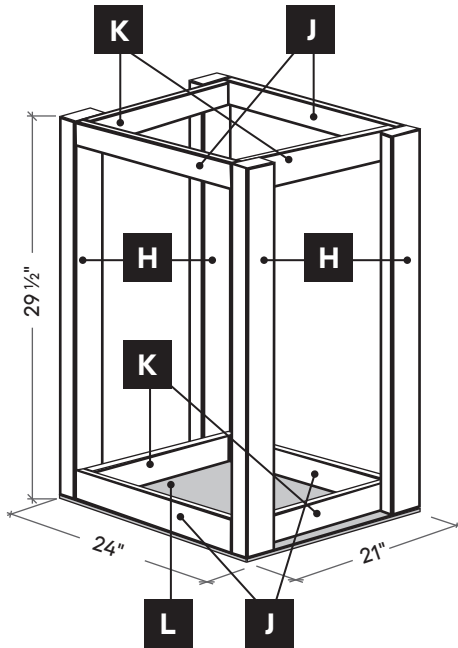




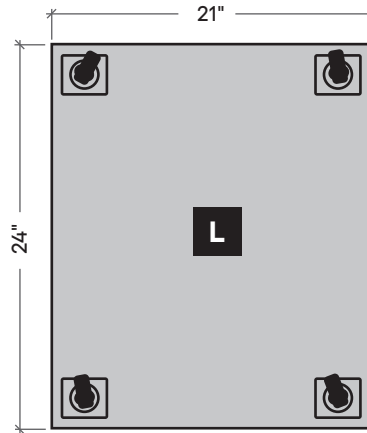
# PLAN • OUTDOOR KITCHEN

## DRAWER WITH WHEELS

--- Cutting line  
 // Loss

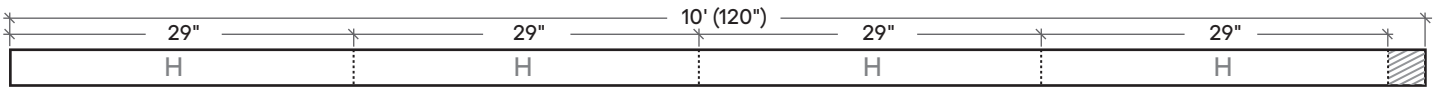


View from the bottom

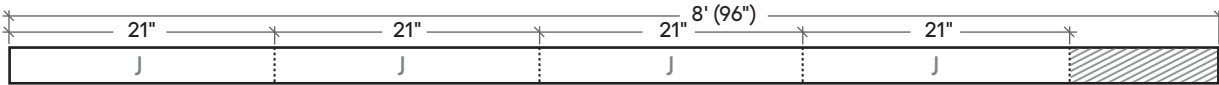


Keep a 1/2" gap between the edge of the plywood and the base of the wheel

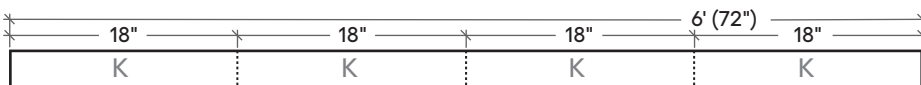
**H** 4x (2" x 4" x 29")



**J** 4x (2" x 4" x 21")



**K** 4x (2" x 4" x 18")




**L** Plywood 1x (1/2" x 21" x 24")

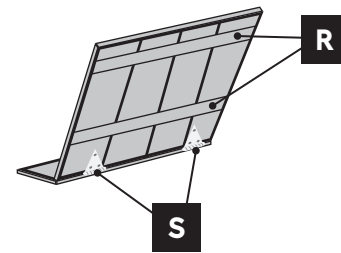
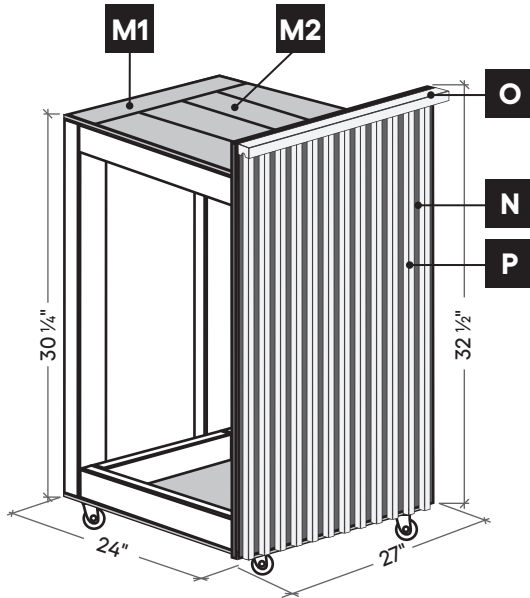
### Assembly order

- Studs (**H**)
- Crossbeams (**J**)
- Crossbeams (**K**)
- Plywood (**L**)
- Wheels
- Fence (**M**)
- Plywood (**N**)
- Moulding U (**P**)
- Strips (**O**)

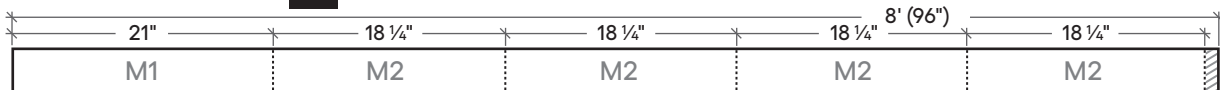
# PLAN • OUTDOOR KITCHEN

## DRAWER WITH WHEELS

⋮ Cutting line  
 Loss



- M1** 1x (1" x 6" x 21")
- M2** 4x (1" x 6" x 18 1/4")



- R** 2x (1" x 2" x 21")



- N** Plywood 1x (1/2" x 27" x 32 1/2")

- O** Moulding in U 1x (1" x 2" x 27")



- P** Finishing strips ±15x (1" x 1" x 31 3/4")

