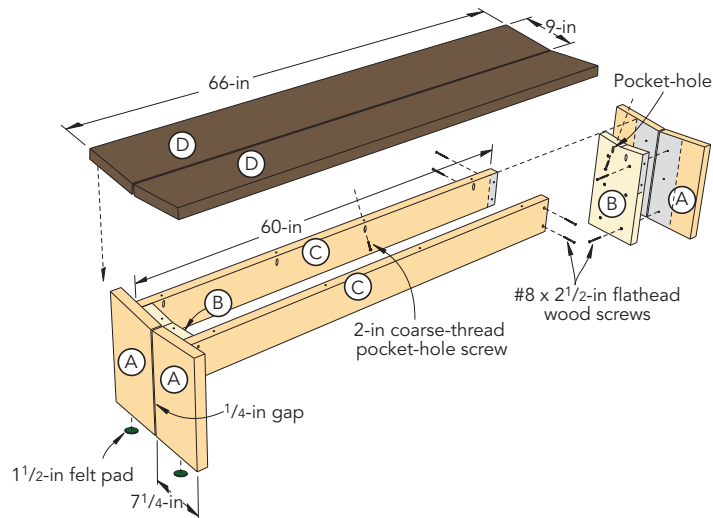
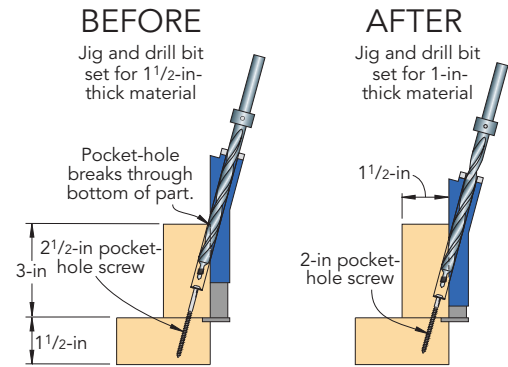
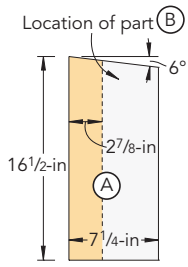
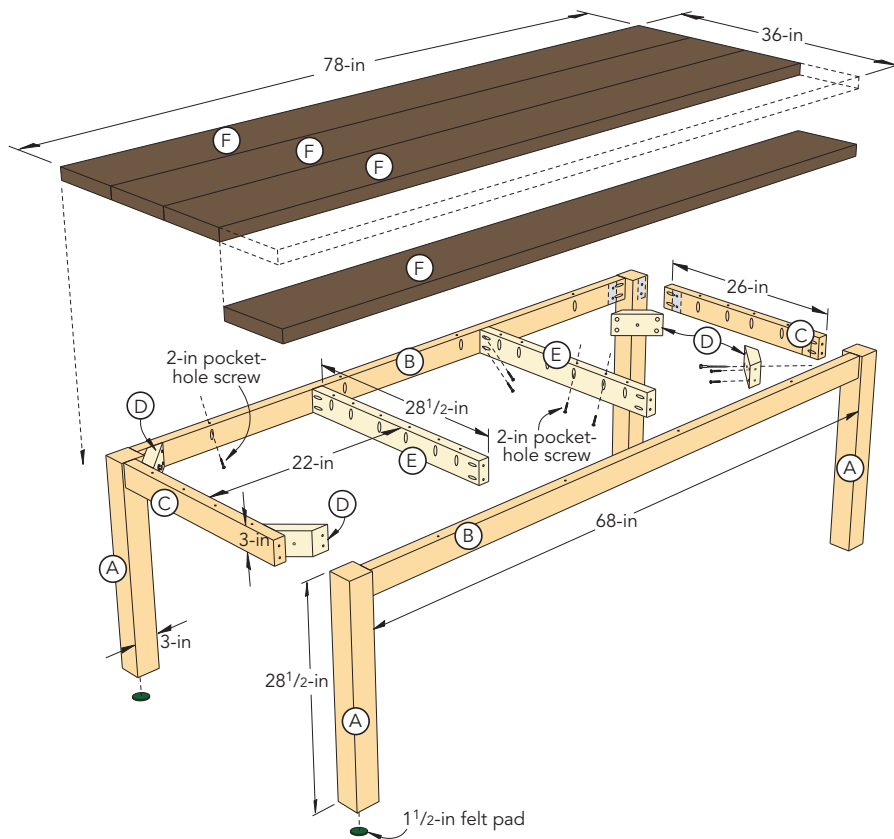
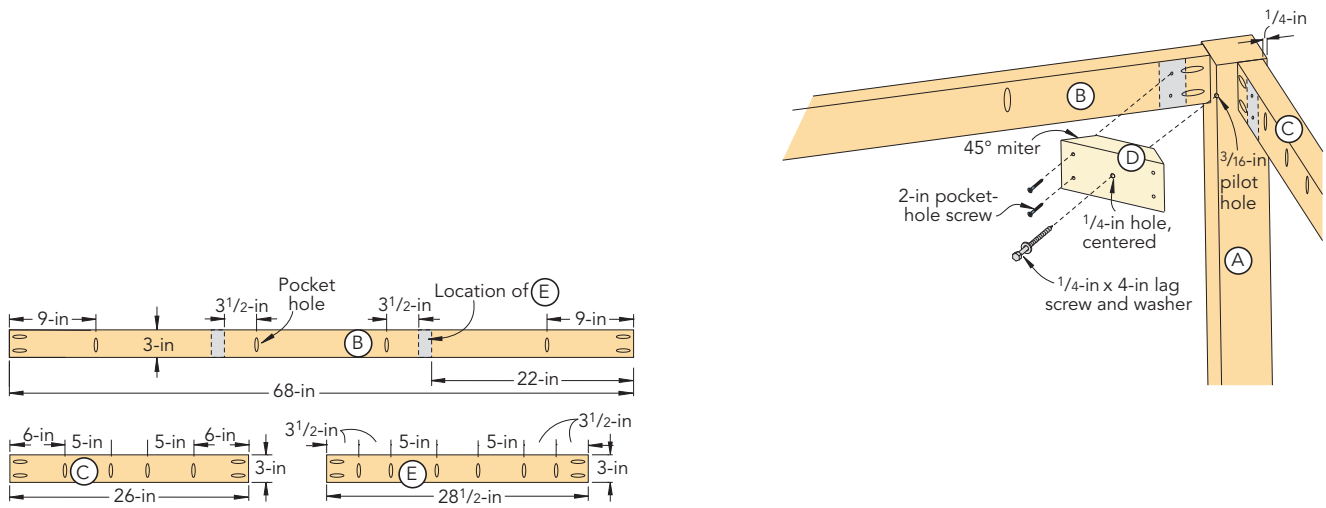


# HARVEST TABLE AND BENCHES PROJECT DIAGRAM



# HARVEST TABLE AND BENCHES PROJECT DIAGRAM

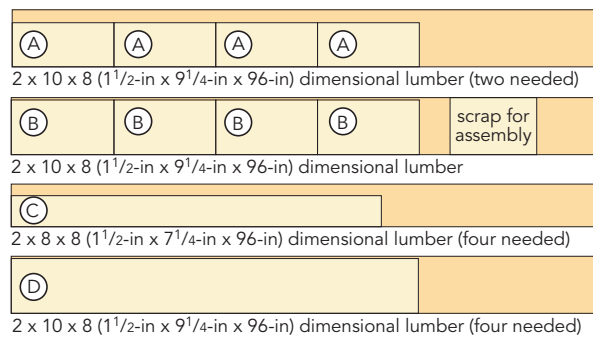


# HARVEST TABLE AND BENCHES

## BENCH CUTTING LIST

	QT.	PART	T	W	L
BENCH	8	A legs	1½	7¼	16½
	4	B leg braces	1½	9	16½
	4	C stretchers	1½	5½	60
	4	D seats	1½	9	66

## BENCH CUTTING DIAGRAM



## TABLE CUTTING LIST

	QT.	PART	T	W	L
TABLE	4	A legs	3	3	28½
	2	B long aprons	1½	3	68
	2	C short aprons	1½	3	26
	4	D corner braces	1½	3	6¾
	2	E stretchers	1½	3	28½
	4	F slats	1½	9	78

## TABLE CUTTING DIAGRAM

